



Domestic water meter up to 30°C - dry dial volumetric meter VME "ECO"

Volumetric meter for modular radio, M-Bus and pulse systems

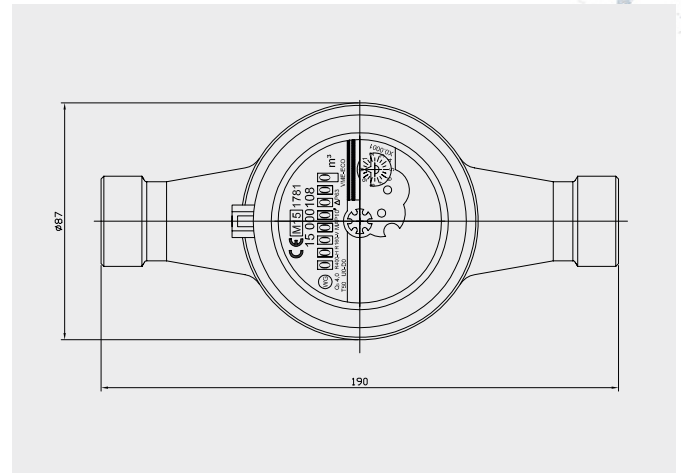
- Easy on site retrofitting with radio, pulse or M-Bus
- Highest measuring accuracy (R H400/V160)
- Batch inscription
- Counter turnable 360°
- MID approved
- Housing material acc. to UBA
- Horizontal / vertical installation





VME-ECO introduces itself...

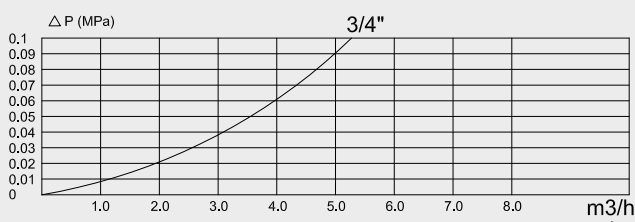
The new volumetric piston meter VME-ECO records the flow volume acc. to the volumetric measuring principle and guarantees a very precise consumption recording. Minimal flows in the measuring chamber already make the piston "float" thus allowing an exact consumption recording for low flows. Its R400 value for horizontal installation highly exceeds the regular R100 values which are specific for Class C. The brass housing bears the batch ID acc. to the present requirements of the DVGW guidelines. The material composition of the brass housing meets the latest requirements of the UBA.



Technical data

VME-ECO			
Nominal size	DN	mm	20
Highest display value		m ³	99 999
Lowest display value		m ³	0.001
Max. allowed pressure		-	MAP10
Allowed pressure load		bar	from 0.3 up to 10
Pressure loss			ΔP63
Temperature		T	50
Damping zone			U0/D0
Admitted overall length			H/V
Connection		mm	1"
Minimal flow rate	Q ₁ H	m ³ /h	0.01
	Q ₁ V	m ³ /h	0.03
Transitional flow rate	Q ₂ H	m ³ /h	0.016
	Q ₂ V	m ³ /h	0.04
Permanent flow rate	Q ₃	m ³ /h	4
Overload flow rate	Q ₄	m ³ /h	5
Measuring accuracy range	Q ₃ /Q ₁	H	R400
	Q ₃ /Q ₁	V	R160
Ratio	Q ₂ /Q ₁		1.6

Error curve



Pressure loss curve

