



Bath tub water meter "ECO" for installation between armature and inflow

Compact version armature and measuring head incl. rosette –
for modular radio, M-Bus and pulse systems

- Easy on site retrofitting of the meter
- Usage of different radio systems with 868 MHz-technique and reverse flow detection
- Optional retrofitting capability with radio, M-Bus or pulse module
- MID approved
- Temperature range up to 50 °C (cold) and up to 90 °C (warm)





Technique

The measuring of the flow rate is made by a hydraulic impeller sensor. The rotations of the impeller wheel are transmitted to a mechanical counter through a magnetic coupling. It is displayed by an 8-digits roller counter and a pointer (one pointer turn corresponds to 1 liter). The star in the middle of the counter is rotating when water flows through the meter. The BWZ measuring head is compatible with further products on the market.

Usage

For measuring the water consumption in:

- Service water systems of residential or non-residential constructions
- Water supply systems of any kind
- Apartment buildings, office buildings and administration buildings

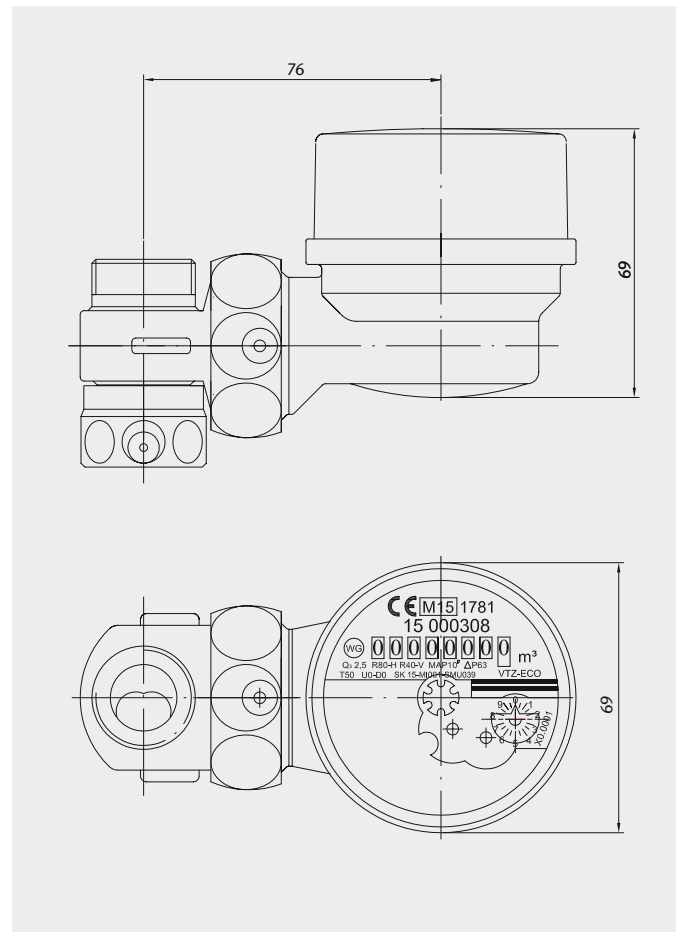
Typical consumers are:

- Service water systems of residential or non-residential constructions
- Building service companies and estate management

Type

The meter is a single jet - impeller counter version. It contains an impeller sensor and a counter which functions as a dry dial. The bath tub meter can be installed by using a suitable connection piece. Meter housing and connection piece are chromium-plated. The counter is protected by a transparent plastic cap. The display has an 8-digits roller counter and a pointer for the current consumption. Both show the consumption with a scale of 0,1 l. A turnable star shows the flow rate. The counter can be placed in an easy readable position by rotating it around its own axis.

Bath tub meter with connection piece 1/2", 3/4"

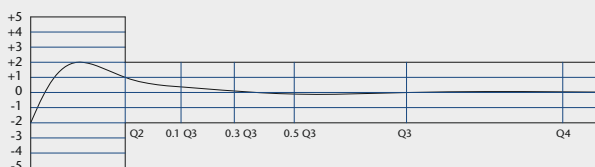




Technical data

BWZ			
Temperature	T		50, 90
Nominal size	DN	mm	15
Weight BWZ incl. connection piece	kg		0.88
Admitted pressure load	bar		10
Minimal flow rate	Q_1 H	m ³ /h	0.03125
	Q_1 V	m ³ /h	0.0625
Transitional flow rate	Q_2 H	m ³ /h	0.05
	Q_2 V	m ³ /h	0.1
Permanent flow rate	Q_3	m ³ /h	2.5
Overload flow rate	Q_4	m ³ /h	3.125
Measuring accuracy range	Q_3/Q_1	H	80
	Q_3/Q_1	V	40
Ratio	Q_2/Q_1		1.6

Error curve



Pressure loss curve

