



Domestic water meter up to 30°C - dry dial
Cartridge meter / piston meter "ECO"
for modular radio system

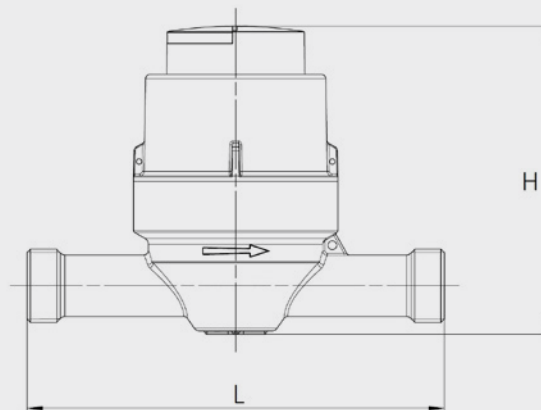
- For cold water
- Permanent flow Q_3 2,5 - 4
- Cartridge housing for horizontal and vertical installation
- Easy on site retrofitting with radio, pulse or M-Bus
- MID approved
- Highest measuring accuracy up to R250
- Exchangeable cartridge





Technical data:

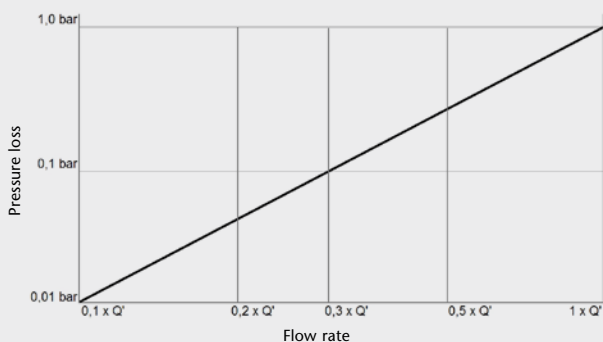
RTK- ... = Piston meter
 ... HPV = Standard piston meter
 ... Measuring insert = Cartridge



RTK-HPV

Overall length	L	190
Permanent flow rate	Q_3 (MID)	4
Nominal flow rate	Q_n (EWG)	2.5
Nominal size	mm	20
Starting point approx.	l/h	2
Flow rate Q for 1bar pressure loss	l/h	5000
Connection thread		1"
Height approx.	H mm	140
Weight approx.	kg	1.8
Measuring accuracy range	R (MID)	R250H/R250V

Pressure loss curve



Error curve

