



Woltman bulk meter dry dial for cold water up to 30°C Retrofitted for contact maker

Compound meter / short installation length PN 10/16

- Measuring insert subject to validation in one unit - exchangeable. Including measuring insert for main counter, switch valve, measuring capsule for batch counter
- The cable for the batch counter in the housing cover is not subject to dirt or corrosion
- Measuring capsule of the batch meter and the non-return valve can easily be exchanged at sight
- The perfect design of the housing and of the housing cover avoids deposits, stagnant water and air inclusions
- The usage of standard components guarantee easy repair works and a good storage
- No measuring errors in the switching range
- Good measuring stability on long term
- Low weight
- Installation horizontal, in standpipe, downpipe, 90° tilted





Usage

- Counter for very fluctuating flow rates

Execution

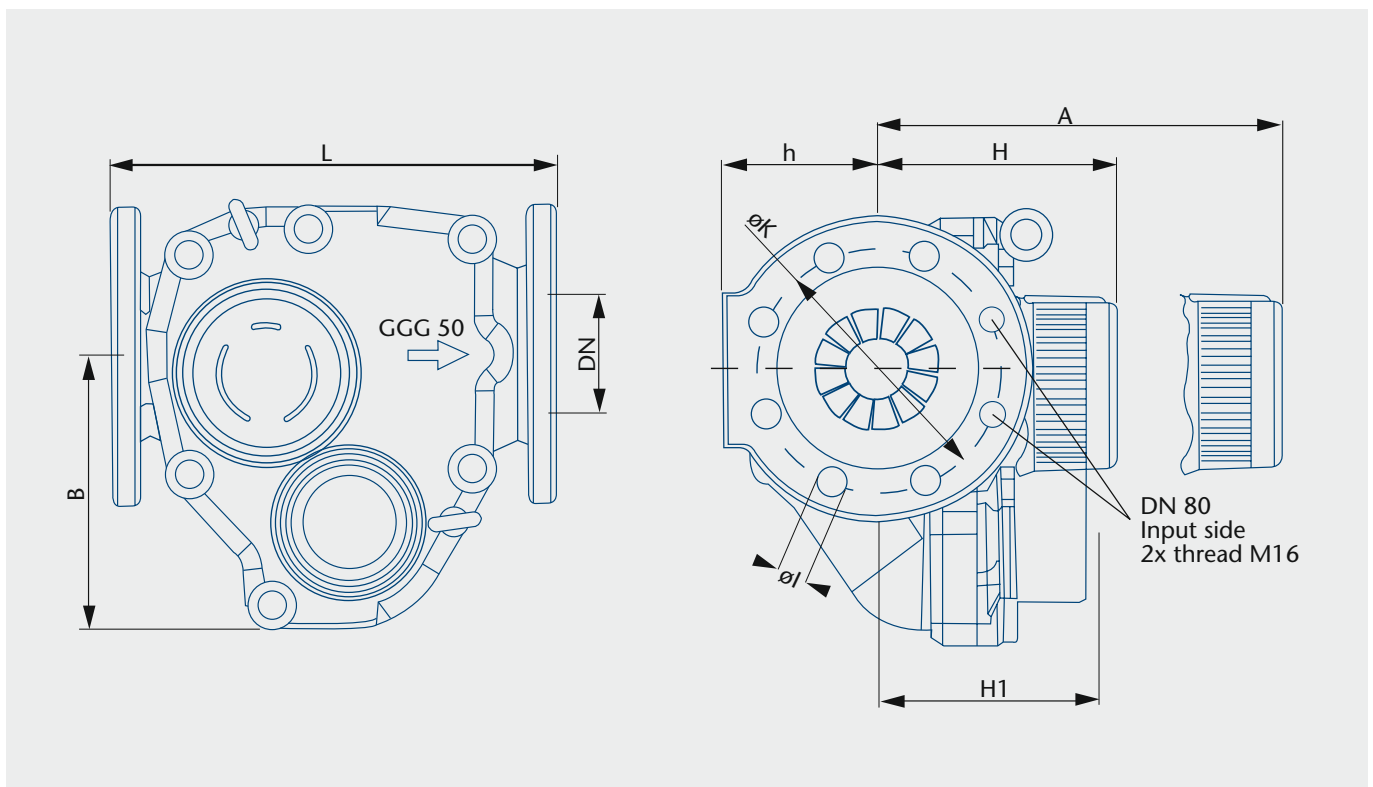
- Short overall length (analogue Woltman meter WS)
- DN 50 - 100 mm
- For cold water up to 30 °C (safety up to 50 °C)
- Work load up to 16 bar
- Connection flange acc to PN 16
- Approval acc. to EO 6
- Main counter with multi functional counter
- Batch meter measuring capsule
- Installation of the batch meter on the right side of the main meter (in flow direction)
- Rinse connection and drain plug G 1/2

Special versions

- Different flange holes
- Integrated transmitters for remote reading and flow rate measuring
- Different batch meter series
- Measuring capsule with 100 or 1000 l per pulse
- Piston meter measuring capsule with 1 l per pulse
- Measuring capsule with M-Bus

The WS meter can optionally be equipped with an electronic measuring module

Technical data: Woltman meter - compound meter WPV and WPV-XKI



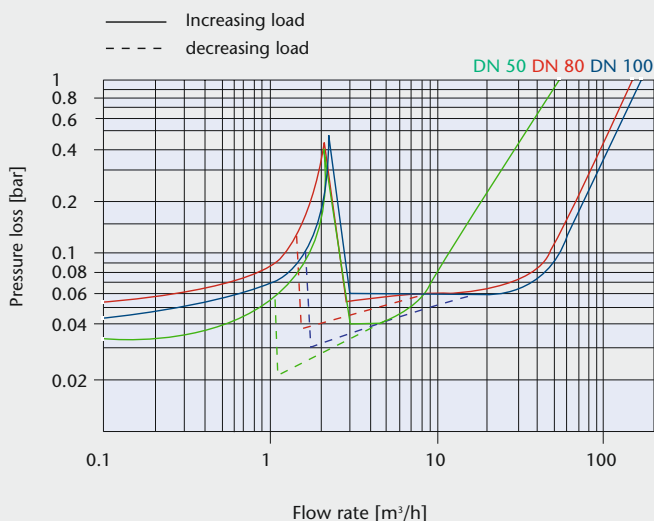


Technical data: Woltman meter WPV

WPV

Temperature	T		30			
Nominal size	DN	mm	50	80	100	
Overall length	L	mm	270	300	360	
Height	h	mm	75	93	105	
Height	H	mm	130	140	140	
Outer flange diameter	D	mm	165	200	220	
Diameter of the hole	K	mm	125	160	180	
Hole	Number of holes Size		4	8/4	8	
		mm	18	18	18	
Weight			kg	17.4	25.5	29
Display range			m ³	0.5 - ... 999.999 m ³		
Readability			m ³	0.001		
Max. admitted pressure			MAP 16			
Admitted pressure load			bar	from 0.3 up to 16		
Pressure loss			Δp 63			
Damping zone			U0/D0			
Admitted installation position			H, V			
Climatic and mechanical environment	h	mm	Closed areas / from 5°C up to 55°C / mech. class M1			
Min. flow rate	Q ₁ H	m ³ /h	25	25	25	
Transitional flow rate	Q ₂ H	m ³ /h	40	40	40	
Permanent flow rate	Q ₃	m ³ /h	25	63	100	
Overload flow rate	Q ₄	m ³ /h	31.25	78.75	125	
Starting value			l/h	2 ²	2 ²	2 ²
Permanent flowrate secondary meter			m ³ /h	4	4	4
Changeover flow increasing			m ³ /h	2.2	2.7	2.4
Changeover flow decrease			m ³ /h	0.9	1.1	1.2

Pressure loss curve



Error curve

